

**TOOL HOLDERS**

**HSK-T**

# HSK63T

# D

# C

# L

# N

刀柄尺寸  
Taper Size

可转位刀片夹紧方式  
Insert Clamping Way

可转位刀片形状  
Insert Shape

刀杆偏角  
Holder Angle

可转位刀片后角  
Insert Clearance Angle

HSK63T  
HSK100T

C		从上面压紧 Clamp
D		从上面穿孔压紧 Clamp/inserts with center hole
M		从上面用孔压紧 Pin/Clamp
P		杠杆压紧 Pin/Wedge or Lever
S		通过孔拧紧 Screw

C		80°
D		55°
S		90°
V		35°
W		80°

A		90°
B		75°
D		45°
G		90°
H		107.5°
J		93°
L		95°
M		50°
N		62.5°
P		117.5°
Q		107.5°
R		75°
S		45°
U		93°
V		72.5°

B		5°
C		7°
N		0°

HSK

# HSK

# 63T

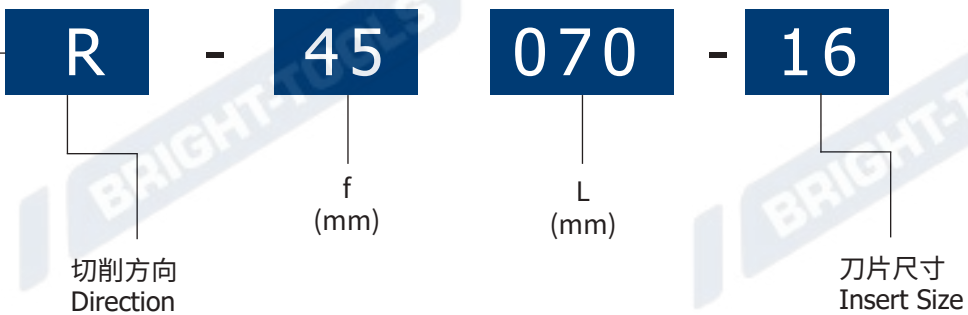
刀柄款式  
Taper




HSK

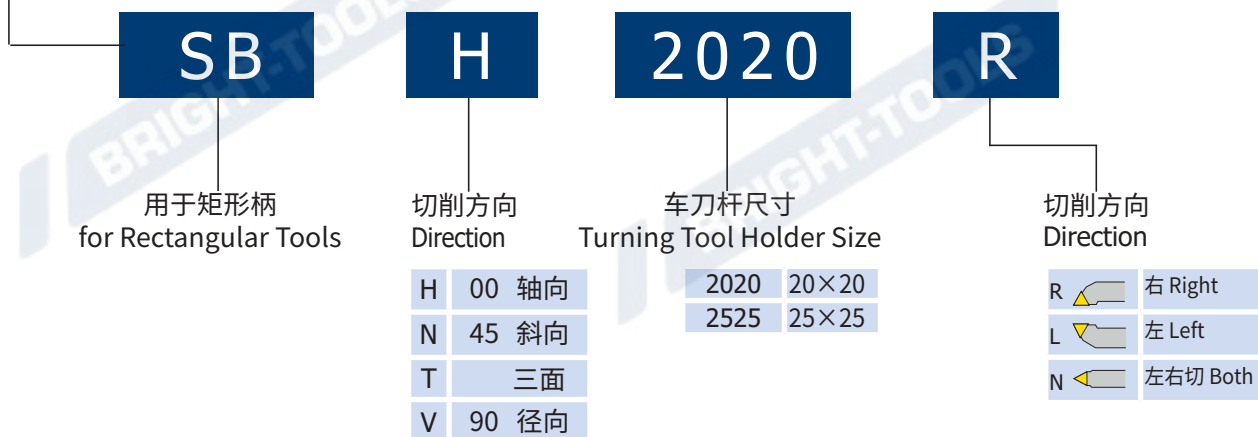
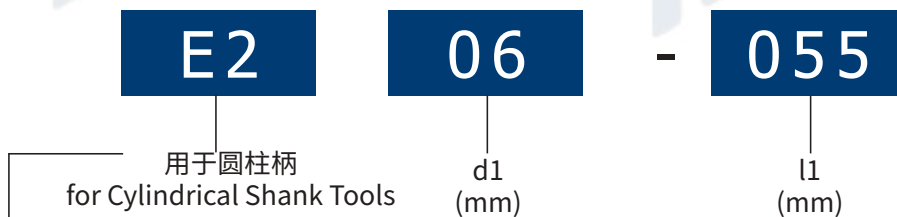
刀柄尺寸  
Taper Size

HSK63T

HSK100T




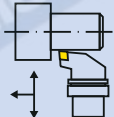
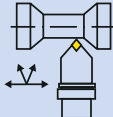
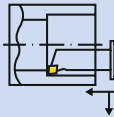

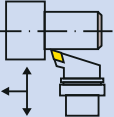
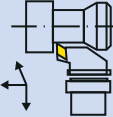
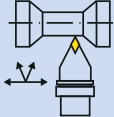
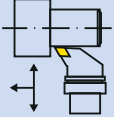
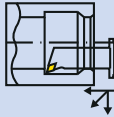


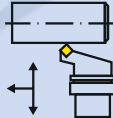

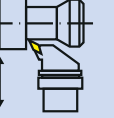
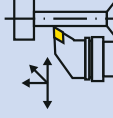
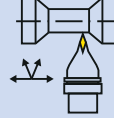
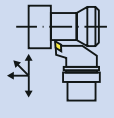



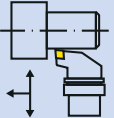
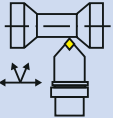
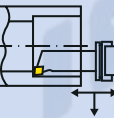
R		右 Right
L		左 Left
N		左右切 Both




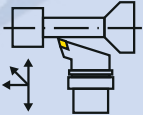
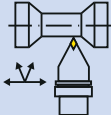
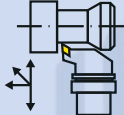
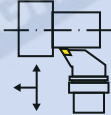
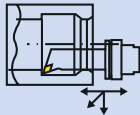

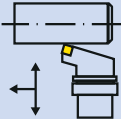
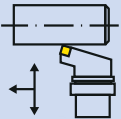

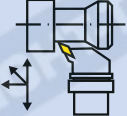
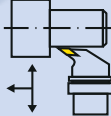
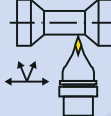

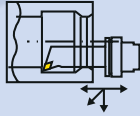
## 车刀刀体 HSK-T

### 车刀刀体 HSK-T 产品总览

**HSK**

刀片形状 Insert Shape	DCLN PCLN 95° / 80°	DCMNN PCMNN 50° / 80° / 50°	DCLN PCLN 长型 95° / 80°		
C 					
刀片形状 Insert Shape	DDHN PDHN 55° / 93°	DDJN PDJN 55° / 93°	DDNNN PDNNN 62.5° / 55° / 62.5°	DDUN PDUN 93° / 55°	DDQN PDQN 长型 107.5° / 55°
D 					
刀片形状 Insert Shape	DSBN PSBN 90° / 75°	DSSN PSSN 45° / 90°			
S 					
刀片形状 Insert Shape	DVPNR DVPNL 117.5° / 35°	DVUNR DVUNL 93° / 35°	DVWNN 72.5° / 35° / 72.5°	DVJNR DVJNL 72.5° / 35° / 72.5°	
V 					
刀片形状 Insert Shape	DWLN PVLN 95° / 80°				
W 					
刀片形状 Insert Shape	SCLCR SCLCL 95° / 80°	SCMCN 50° / 80° / 50°	SCLC 长型 95° / 80°		
C 					

**车刀刀体 HSK-T**  
**车刀刀体 HSK-T 产品总览**

刀片形状 Insert Shape	SDHCR SDHCL 107.5° / 55°	SDNCN 62.5°/55°/62.5°	SDJCR SDJCL 93° / 55°	SDUCR SDUCL 93° / 55°	SDQC 长型 107.5° / 55°
D 					
刀片形状 Insert Shape	SSBCR SSBCL 75° / 90°	SSSCR SSSCL 45° / 90°			
S 					
刀片形状 Insert Shape	SVPB SVPC 117.5° / 35°	SVUB SVUC 93° / 35°	SVVB SVVC 72.5° / 35° / 72.5°	SVJB SVJC 93° / 35°	SVQC 长型 107.5° / 55°
V 					

**HSK**



## HSK-T TOOLING SYSTEM HSK-T 工具系统

Boring Bar Holder .....	G.60
复合刀具, 镗孔刀夹	
Facing .....	G.61
复合车刀座, 端面加工	
External and Facing.....	G.61
复合车刀座, 外径端面加工	
External and Cut-ofG.....	G.62
复合车刀座, 外径切断加工	
External and Facing.....	G.62
复合车刀座, 外径端面加工	

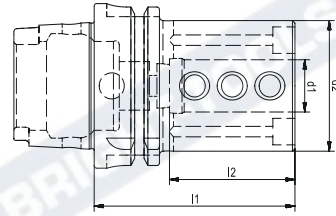
Turning Tool, Negative.....	G.63
车刀刀体, 负前角刀片	
DCLNR   DCLNL 95°/80°.....	G.63
PCLNR   PCLNL 95° /80° .....	G.63
DCMNN 50°/80°/50°.....	G.64
PCMNN 50°/80°/50°.....	G.64
DDJNR   DDJNL 55°/93°.....	G.65
PDJNR   PDJNL 55°/93°.....	G.65
DDNNN 62.5°/55°/62.5°.....	G.66
PDNNN 62.5°/55°/62.5°.....	G.66
DDUNR   DDUNL 93°/55°.....	G.66
PDUNR   PDUNL 93°/55°.....	G.67
DSBNR   DSBNL 90°/75°.....	G.67
PSBNR   PSBNL 90°/75°.....	G.67
DSSNR   DSSNL 45°/90°.....	G.68
PSSNR   PSSNL 45°/90°.....	G.68
DVPNR   DVPNL 117.5°/35°.....	G.68
DVUNR   DVUNL 93°/35°.....	G.69
DVVNN 72.5°/35°/72.5°.....	G.69
DVJNR   DVJNL 93°/35°.....	G.69
DWLNR   DWLNL 95°/80°.....	G.70
PWLNR   PWLNL 95°/80°.....	G.70

Turning Tool, Positive.....	G.70
车刀刀体, 正前角刀片	
SCLCR   SCLCL 95°/80°.....	G.70
SCMCN 50°/80°/50°.....	G.71
SDQCR   SDQCL 107.5°/55°.....	G.71
SDNCN 62.5°/55°/62.5°.....	G.71
SDJCR   SDJCL 93°/55°.....	G.72
SDUCR   SDUCL 93°/55°.....	G.72
SSBCR   SSBCL 75°/90°.....	G.72
SSSCR   SSSCL 45°/90°.....	G.73
SVPBR   SVPBL   SVPCR   SVPCL 117.5°/35°.....	G.73
SVUBR   SVUBL   SVUCR   SVUCL 93°/35°.....	G.74
SVWBN   SVWCN 72.5°/35°/72.5°.....	G.74
长型 DCLNR   DCLNL 95°/80°.....	G.75
长型 PCLNR   PCLNL 95° /80° .....	G.76
长型 PDQNR   PDQNL 107.5°/55°.....	G.76
长型 DDQNR   DDQNL 107.5°/55°.....	G.77
长型 SCLCR   SCLCL 95°/80°.....	G.77
长型 SVQCR   SVQCL 107.5°/55°.....	G.78



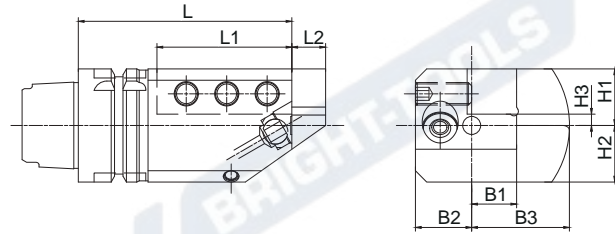
## HSK-T Boring Bar Holder

复合刀具, 镗孔刀夹



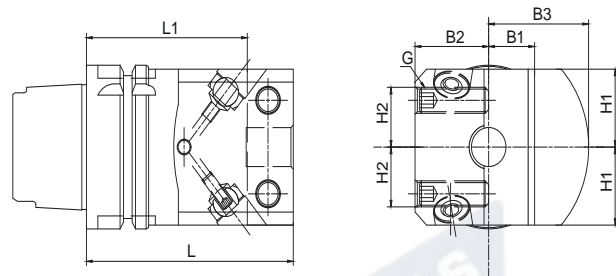
Size	d1	d2	l1	l2
HSK40TAX-E2-08	8	32	60	37
HSK40TAX-E2-10	10	34	60	37
HSK40TAX-E2-12	12	36	65	40
HSK40TAX-E2-16	16	40	70	42
HSK40TAX-E2-20	20	45	70	42
HSK50TAX-E2-10	10	38	75	45
HSK50TAX-E2-12	12	40	75	45
HSK50TAX-E2-16	16	45	80	50
HSK50TAX-E2-20	20	50	80	47
HSK50TAX-E2-25	25	55	85	50
HSK63TAX-E2-06	6	30	65	40
HSK63TAX-E2-08	8	32	70	40
HSK63TAX-E2-10	10	38	75	45
HSK63TAX-E2-12	12	40	75	45
HSK63TAX-E2-16	16	45	80	50
HSK63TAX-E2-20	20	50	80	50
HSK63TAX-E2-25	25	55	85	52
HSK63TAX-E2-32	32	72	108	60
HSK63TAX-E2-40	40	80	120	72
HSK100TAX-E2-16	16	45	85	48
HSK100TAX-E2-20	20	50	85	48
HSK100TAX-E2-25	25	55	85	48
HSK100TAX-E2-32	32	72	95	58
HSK100TAX-E2-40	40	80	110	73
HSK100TAX-E2-50	50	90	120	82

## HSK·T Turning Tools for Facing 复合车刀座, 端面加工



Size	L	L1	L2	B1	B2	B3	H1	H2	H3	G
HSK50T-SBV2020R-105	105	60	15	20	25	43.5	25	25	5	M10
HSK50T-SBV2020L-105	105	60	15	20	25	43.5	25	25	5	M10
HSK63T-SBV2020R-105	105	60	15	20	32	43.5	33	32	13	M10
HSK63T-SBV2020L-105	105	60	15	20	32	43.5	33	32	13	M10
HSK63T-SBV2525R-115	115	70	20	25	32	45	30	30	5	M12
HSK63T-SBV2525L-115	115	70	20	25	32	45	30	30	5	M12
HSK100T-SBV2525R-160	160	110	20	25	37	59	48	44	23	M12
HSK100T-SBV2525L-160	160	110	20	25	37	59	48	44	23	M12
HSK100T-SBV3232R-160	160	110	20	32	40	68.5	45	44	15	M14
HSK100T-SBV3232L-160	160	110	20	32	40	68.5	45	44	15	M14

## HSK·T Turning Tools for External and Facing 复合车刀座, 外径端面加工

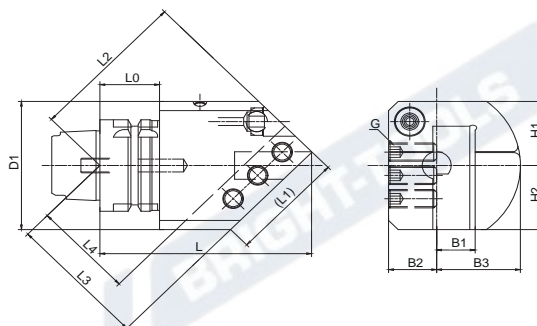


Size	L	L1	B1	B2	B3	H1	H2	G
HSK50T-SBH2020N-100	100	80	20	25	43.5	27.5	-	M10
HSK50T-SBH2020N-130	130	110	20	25	43.5	27.5	-	M10
HSK63T-SBH2020N-100	100	80	20	32	43.5	30	-	M10
HSK63T-SBH2525N-90	90	75	25	32	53	40.5	29.5	M12
HSK63T-SBH2525N-120	120	105	25	32	53	40.5	29.5	M12
HSK100T-SBH2525N-115	115	90	25	32	59	48	37	M12
HSK100T-SBH2525N-160	160	135	25	32	59	48	37	M12
HSK100T-SBH3232N-115	115	85	32	40	68.5	57	43	M14



## HSK·T Turning Tools for External and Cut-off

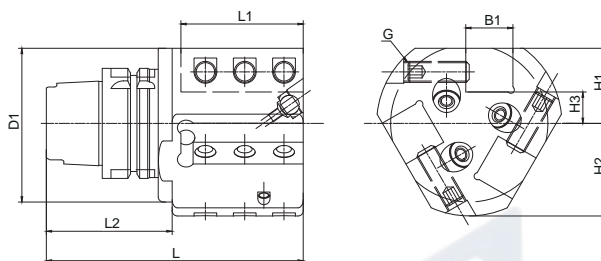
复合车刀座, 外径切断加工



Size	L	L1	L2	L3	L4	D1	B1	B2	B3	H1	H2	G
HSK50T-SBN2020R-120	120	60	83.1	72.8	52.8	-	20	25	43.5	35	35	M10
HSK50T-SBN2020L-120	120	60	83.1	72.8	52.8	-	20	25	43.5	35	35	M10
HSK63T-SBN2020R-120	120	60	83.1	72.8	52.8	-	20	32	43.5	35	35	M10
HSK63T-SBN2020L-120	120	60	83.1	72.8	52.8	-	20	32	43.5	35	35	M10
HSK63T-SBN2525R-120	120	70	85.2	70.8	45.8	90	25	32	53	39	39	M12
HSK63T-SBN2525L-120	120	70	85.2	70.8	45.8	90	25	32	53	39	39	M12
HSK100T-SBN2525R-145	145	70	102.9	88.5	63.5	-	25	32	59	43	43	M12
HSK100T-SBN2525L-145	145	70	102.9	88.5	63.5	-	25	32	59	43	43	M12
HSK100T-SBN3232R-150	150	85	109.9	89	59	-	32	37	68.5	48	43	M14
HSK100T-SBN3232L-150	150	85	109.9	89	59	-	32	37	68.5	48	43	M14

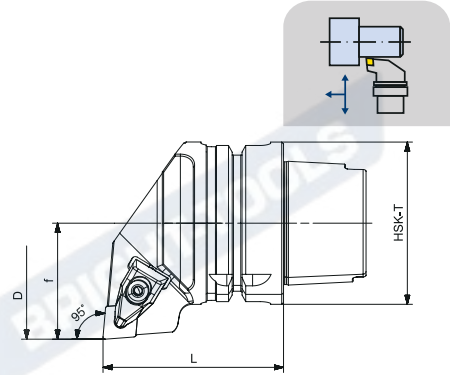
## HSK·T Turning Tools for External and Facing

复合车刀座, 外径端面加工



Size	L	L1	L2	D1	B1	H1	H2	H3	G
HSK50T-SBT2020R-105	105	60	-	-	20	35	43.5	15	M10
HSK50T-SBT2020L-105	105	60	-	-	20	35	43.5	15	M10
			-	-	20	35	43.5	15	M10
HSK63T-SBT2020R-105	105	60	-	-	20	35	43.5	15	M10
HSK63T-SBT2020L-105	105	60							
HSK63T-SBT2525R-125	125	70	40	90	25	43	53	18	M12
HSK63T-SBT2525L-125	125	70	40	90	25	43	53	18	M12
HSK100T-SBT2525R-160	160	110	-	-	25	48	59	23	M12
HSK100T-SBT2525L-160	160	110	-	-	25	48	59	23	M12

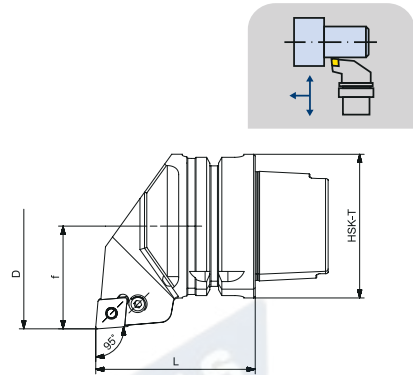
**DCLNR | DCLNL 95°/80°**



Size	f	D min	L	Direction	Inserts N.
HSK63T-DCLNR-45070-12	45	80	70	R	CN..1204..
HSK63T-DCLNL-45070-12	45	80	70	L	CN..1204..
HSK63T-DCLNR-45070-16	45	80	70	R	CN..1606..
HSK63T-DCLNL-45070-16	45	80	70	L	CN..1606..
HSK100T-DCLNR-63100-12	63	120	100	R	CN..1204..
HSK100T-DCLNL-63100-12	63	120	100	L	CN..1204..
HSK100T-DCLNR-63100-16	63	120	100	R	CN..1606..
HSK100T-DCLNL-63100-16	63	120	100	L	CN..1606..

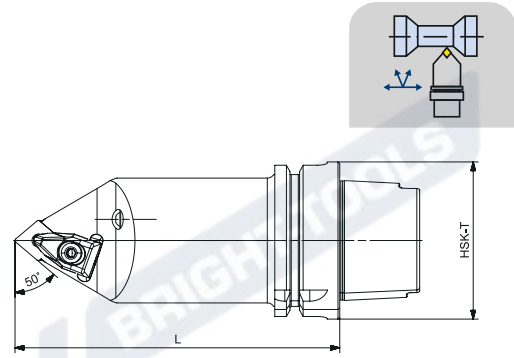
**HSK**

**PCLNR | PCLNL 95°/80°**



Size	f	D min	L	Direction	Inserts N.
HSK63T-PCLNR-45070-12	45	80	70	R	CN..1204..
HSK63T-PCLNL-45070-12	45	80	70	L	CN..1204..
HSK63T-PCLNR-45070-16	45	80	70	R	CN..1606..
HSK63T-PCLNL-45070-16	45	80	70	L	CN..1606..
HSK100T-PCLNR-63100-12	63	120	100	R	CN..1204..
HSK100T-PCLNL-63100-12	63	120	100	L	CN..1204..
HSK100T-PCLNR-63100-16	63	120	100	R	CN..1606..
HSK100T-PCLNL-63100-16	63	120	100	L	CN..1606..
HSK100T-PCLNR-63100-19	63	120	100	R	CN..1906..
HSK100T-PCLNL-63100-19	63	120	100	L	CN..1906..

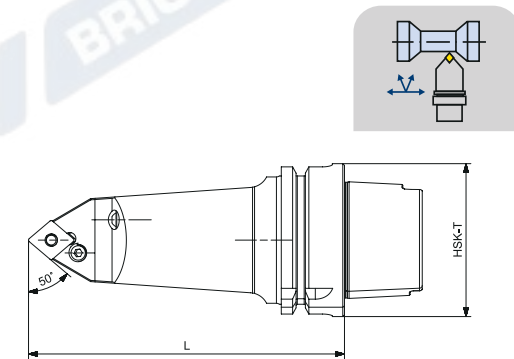
### DCMNN 50°/80°/50°



Size	L	Direction	Inserts N.
HSK63T-DCMNN-100-12	100	N	CN..1204..
HSK63T-DCMNN-130-12	130	N	CN..1204..
HSK63T-DCMNN-100-16	100	N	CN..1606..
HSK63T-DCMNN-130-16	130	N	CN..1606..
HSK100T-DCMNN-125-12	125	N	CN..1204..
HSK100T-DCMNN-125-16	125	N	CN..1606..

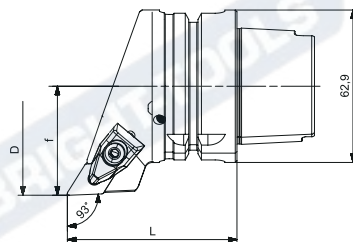
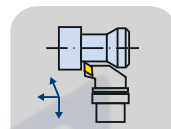
**HSK**

### PCMNN 50°/80°/50°



Size	L	Direction	Inserts N.
HSK63T-PCMNN-100-12	100	N	CN..1204..
HSK63T-PCMNN-130-12	130	N	CN..1204..
HSK63T-PCMNN-100-16	100	N	CN..1606..
HSK63T-PCMNN-130-16	130	N	CN..1606..
HSK100T-PCMNN-125-12	125	N	CN..1204..
HSK100T-PCMNN-125-16	125	N	CN..1606..

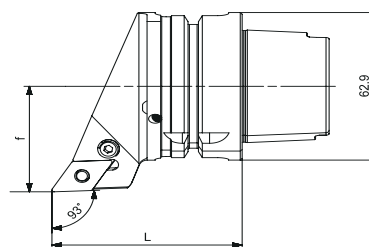
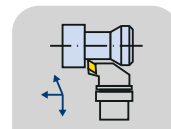
**DDJNR | DDJNL 55°/93°**



Size	f	L	Direction	Inserts N.
HSK63T-DDJNR-45075-15	45	70	R	DN..1506..
HSK63T-DDJNL-45075-15	45	70	L	DN..1506..
HSK100T-DDJNR-63100-15	63	100	R	DN..1506..
HSK100T-DDJNL-63100-15	63	100	L	DN..1506..

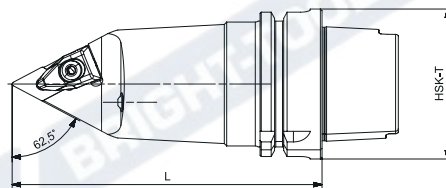
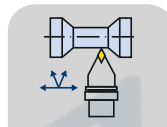
**HSK**

**PDJNR | PDJNL 55°/93°**



Size	f	L	Direction	Inserts N.
HSK63T-PDJNR-45070-15	45	70	R	DN..1506..
HSK63T-PDJNL-45070-15	45	70	L	DN..1506..
HSK100T-PDJNR-63100-15	63	100	R	DN..1506..
HSK100T-PDJNL-63100-15	63	100	L	DN..1506..

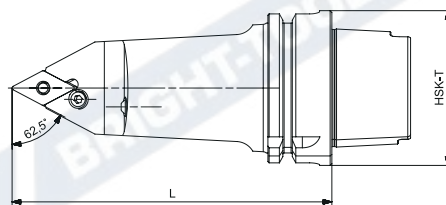
### DDNNN 62.5°/55°/62.5°



Size	L	Direction	Inserts N.
HSK63T-DDNNN-100-15	100	N	DN..1506..
HSK63T-DDNNN-130-15	130	N	DN..1506..
HSK100T-DDNNN-125-15	125	N	DN..1506..

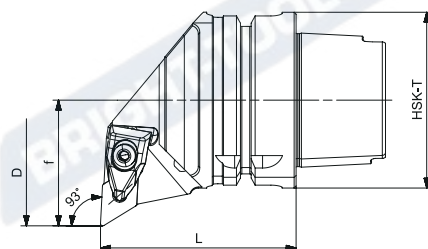
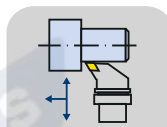
**HSK**

### PDNNN 62.5°/55°/62.5°



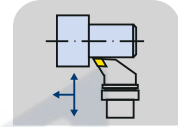
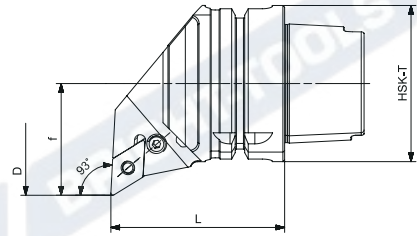
Size	L	Direction	Inserts N.
HSK63T-PDNNN-100-15	100	N	DN..1506..
HSK63T-PDNNN-130-15	130	N	DN..1506..
HSK100T-PDNNN-125-15	125	N	DN..1506..

### DDUNR | DDUNL 93°/55°



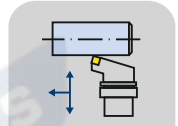
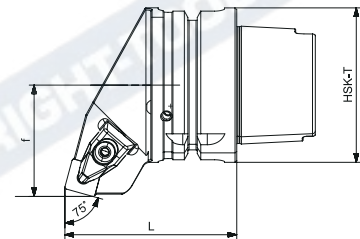
Size	f	D min	L	Direction	Inserts N.
HSK63T-DDUNR-45070-15	45	80	70	R	DN..1506..
HSK63T-DDUNL-45070-15	45	80	70	L	DN..1506..
HSK100T-DDUNR-63100-15	63	120	100	R	DN..1506..
HSK100T-DDUNL-63100-15	63	120	100	L	DN..1506..

**PDUNR | PDUNL 93°/55°**



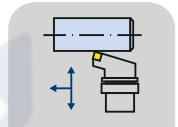
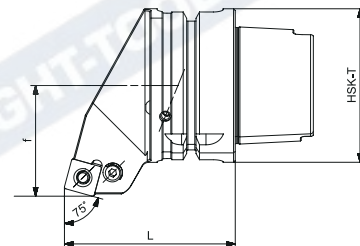
Size	f	D min	L	Direction	Inserts N.
HSK63T-PDUNR-45070-15	45	80	70	R	DN..1506..
HSK63T-PDUNL-45070-15	45	80	70	L	DN..1506..
HSK100T-PDUNR-63100-15	63	120	100	R	DN..1506..
HSK100T-PDUNL-63100-15	63	120	100	L	DN..1506..

**DSBNR | DSBNL 90°/75°**



Size	f	L	Direction	Inserts N.
HSK63T-DSBNR-45070-12	45	70	R	SN..1204..
HSK63T-DSBNL-45070-12	45	70	L	SN..1204..
HSK100T-DSBNR-63100-12	63	100	R	SN..1204..
HSK100T-DSBNL-63100-12	63	100	L	SN..1204..

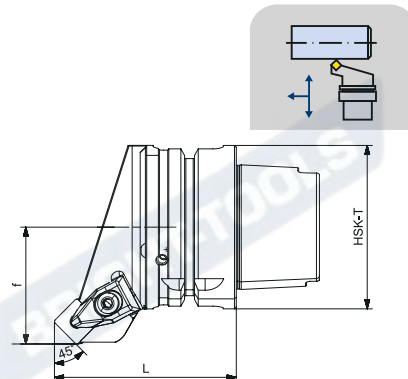
**PSBNR | PSBNL 90°/75°**



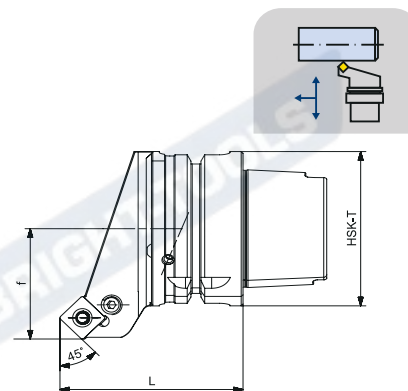
Size	f	L	Direction	Inserts N.
HSK63T-PSBNR-45070-12	45	70	R	SN..1204..
HSK63T-PSBNL-45070-12	45	70	L	SN..1204..
HSK100T-PSBNR-63100-12	63	100	R	SN..1204..
HSK100T-PSBNL-63100-12	63	100	L	SN..1204..

**HSK**

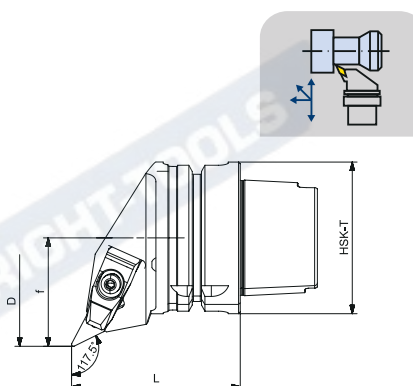


**DSSNR | DSSNL 45°/90°**


Size	f	D min	L	Direction	Inserts N.
HSK63T-DSSNR-45070-12	45	-	70	R	SN..1204..
HSK63T-DSSNL-45070-12	45	-	70	L	SN..1204..
HSK100T-DSSNR-63100-12	63	-	100	R	SN..1204..
HSK100T-DSSNL-63100-12	63	-	100	L	SN..1204..

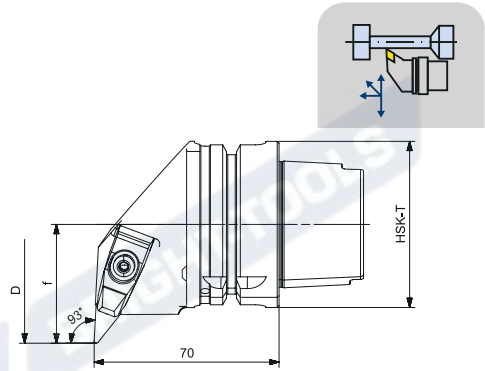
**HSK**
**PSSNR | PSSNL 45°/90°**


Size	f	L	Direction	Inserts N.
HSK63T-PSSNR-45070-12	45	70	R	SN..1204..
HSK63T-PSSNL-45070-12	45	70	L	SN..1204..
HSK100T-PSSNR-63100-12	63	100	R	SN..1204..
HSK100T-PSSNL-63100-12	63	100	L	SN..1204..

**DVPCR | DVPNL 117.5°/35°**


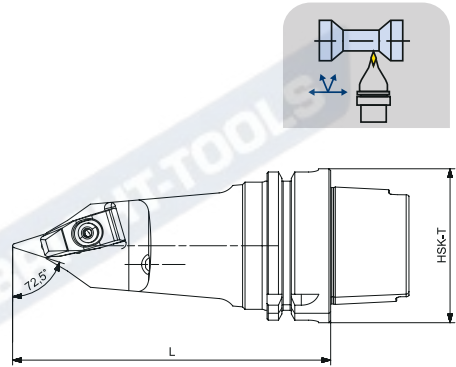
Size	f	D min	L	Direction	Inserts N.
HSK63T-DVPCR-45070-16	45	80	70	R	VN..1604..
HSK63T-DVPNL-45070-16	45	80	70	L	VN..1604..
HSK100T-DVPCR-63100-16	63	120	100	R	VN..1604..
HSK100T-DVPNL-63100-16	63	120	100	L	VN..1604..

**DVUNR | DVUNL 93°/35°**



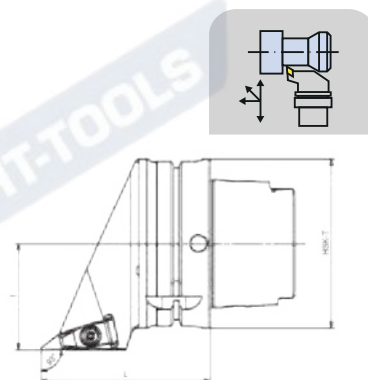
Size	f	D min	L	Direction	Inserts N.
HSK63T-DVUNR-45070-16	45	80	70	R	VN..1604..
HSK63T-DVUNL-45070-16	45	80	70	L	VN..1604..
HSK100T-DVUNR-63100-16	63	120	100	R	VN..1604..
HSK100T-DVUNL-63100-16	63	120	100	L	VN..1604..

**DVVNN 72.5°/35°/72.5°**



Size	L	Direction	Inserts N.
HSK63T-DVVNN-100-16	100	N	VN..1604..
HSK63T-DVVNN-130-16	130	N	VN..1604..
HSK100T-DVVNN-125-16	125	N	VN..1604..

**DVJNR | DVJNL 93°/35°**

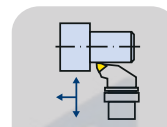
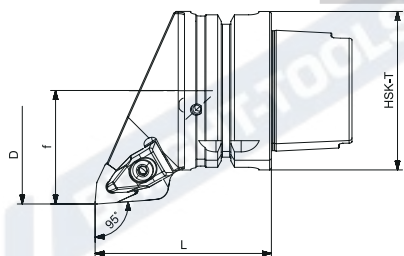


Size	f	D min	L	Direction	Inserts N.
HSK100T-DVJNR16-100-63	63	-	100	R	VN..1604..
HSK100T-DVJNL16-100-63	63	-	100	L	VN..1604..

**HSK**



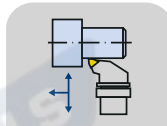
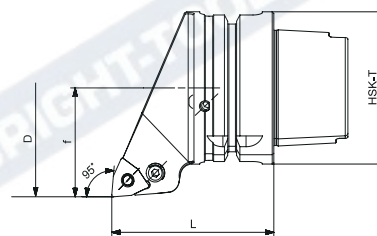
## DWLN R | DWLNL 95°/80°



Size	f	D min	L	Direction	Inserts N.
HSK63T-DWLN R-45070-8	45	80	70	R	WN..0804..
HSK63T-DWLNL-45070-8	45	80	70	L	WN..0804..
HSK100T-DWLN R-63100-8	63	120	100	R	WN..0804..
HSK100T-DWLNL-63100-8	63	120	100	L	WN..0804..

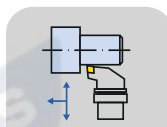
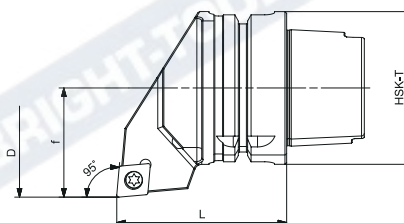
**HSK**

## PWLN R | PWLNL 95°/80°



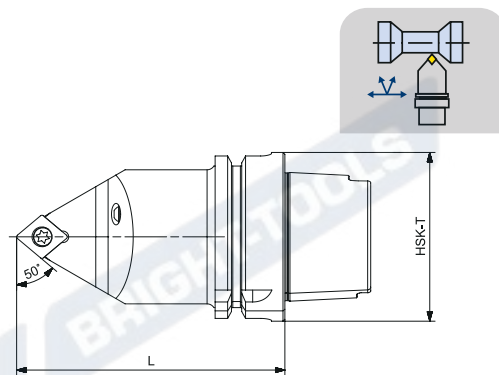
Size	f	D min	L	Direction	Inserts N.
HSK63T-PWLN R-45070-8	45	80	70	R	WN..0804..
HSK63T-PWLNL-45070-8	45	80	70	L	WN..0804..
HSK100T-PWLN R-63100-8	63	120	100	R	WN..0804..
HSK100T-PWLNL-63100-8	63	120	100	L	WN..0804..

## SCLCR | SCLCL 95°/80°



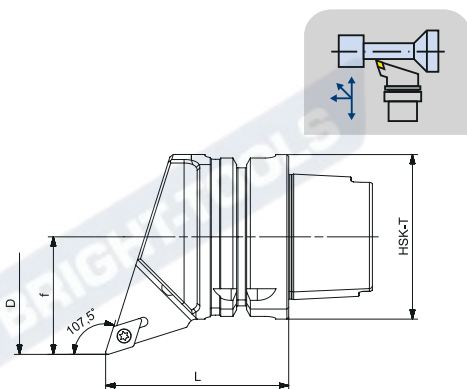
Size	f	D min	L	Direction	Inserts N.
HSK63T-SCLCR-45070-12	45	80	70	R	CC..1204..
HSK63T-SCLCL-45070-12	45	80	70	L	CC..1204..
HSK100T-SCLCR-63100-12	63	120	100	R	CC..1204..
HSK100T-SCLCL-63100-12	63	120	100	L	CC..1204..

### SCMCN 50°/80°/50°



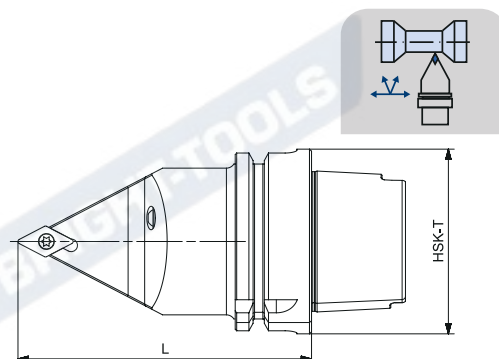
Size	L	Direction	Inserts N.
HSK63T-SCMCN-100-12	100	N	CC..1204..
HSK63T-SCMCN-130-12	130	N	CC..1204..
HSK100T-SCMCN-125-12	125	N	CC..1204..

### SDQCR | SDQCL 107.5°/55°



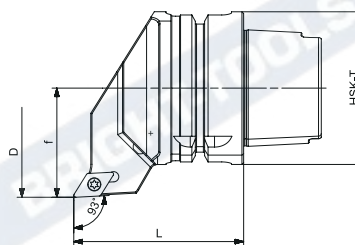
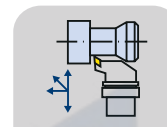
Size	f	D min	L	Direction	Inserts N.
HSK63T-SDQCR-45070-11	45	80	70	R	DC..11T3..
HSK63T-SDQCL-45070-11	45	80	70	L	DC..11T3..
HSK100T-SDQCR-63100-11	63	120	100	R	DC..11T3..
HSK100T-SDQCL-63100-11	63	120	100	L	DC..11T3..

### SDNCN 62.5°/55°/62.5°

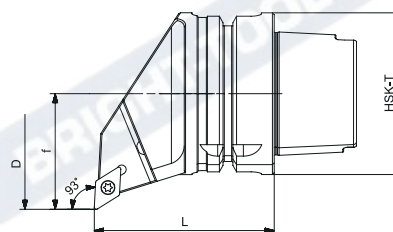
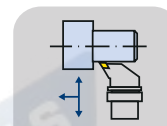


Size	L	Direction	Inserts N.
HSK63T-SDNCN-100-11	100	N	DC..11T3..
HSK63T-SDNCN-130-11	130	N	DC..11T3..
HSK100T-SDNCN-125-11	125	N	DC..11T3..

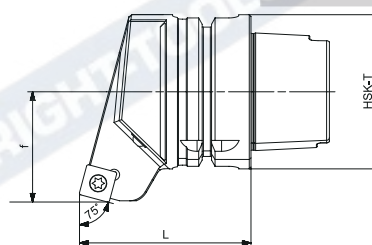
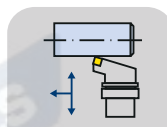
**HSK**

**SDJCR | SDJCL 93°/55°**


Size	f	D min	L	Direction	Inserts N.
HSK63T-SDJCR-45070-11	45	80	70	R	DC..11T3..
HSK63T-SDJCL-45070-11	45	80	70	L	DC..11T3..
HSK100T-SDJCR-63100-11	63	120	100	R	DC..11T3..
HSK100T-SDJCL-63100-11	63	120	100	L	DC..11T3..

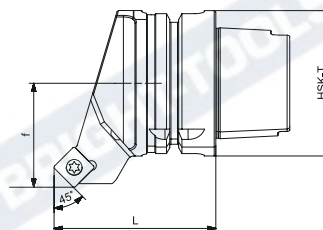
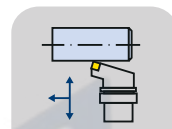
**HSK**
**SDUCR | SDUCL 93°/55°**


Size	f	D	L	Direction	Inserts N.
HSK63T-SDUCR-45070-11	45	80	70	R	DC..11T3..
HSK63T-SDUCL-45070-11	45	80	70	L	DC..11T3..
HSK100T-SDUCR-63100-11	63	120	100	R	DC..11T3..
HSK100T-SDUCL-63100-11	63	120	100	L	DC..11T3..

**SSBCR | SSBCL 75°/90°**


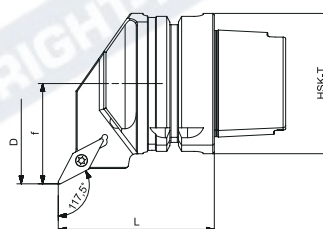
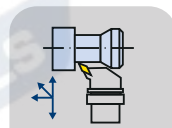
Size	f	L	Direction	Inserts N.
HSK63T-SSBCR-45070-12	45	70	R	SC..1204..
HSK63T-SSBCL-45070-12	45	70	L	SC..1204..
HSK100T-SSBCR-63100-12	63	100	R	SC..1204..
HSK100T-SSBCL-63100-12	63	100	L	SC..1204..

**SSSCR | SSSCL 45°/90°**



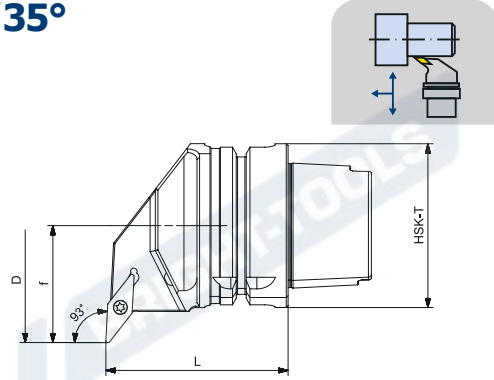
Size	f	L	Direction	Inserts N.
HSK63T-SSSCR-45070-12	45	70	R	SC..1204..
HSK63T-SSSCL-45070-12	45	70	L	SC..1204..
HSK100T-SSSCR-63100-12	63	100	R	SC..1204..
HSK100T-SSSCL-63100-12	63	100	L	SC..1204..

**SVPBR | SVPBL | SVPCR | SVPCL 117.5°/35°**

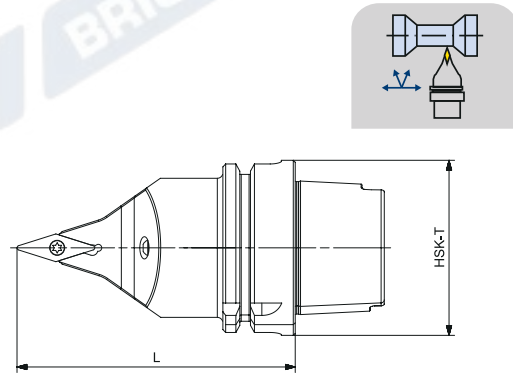


Size	f	D min	L	Direction	Inserts N.
HSK63T-SVPBR-45070-16	45	80	70	R	VB..1604..
HSK63T-SVPBL-45070-16	45	80	70	L	VB..1604..
HSK63T-SVPCR-45070-16	45	80	70	R	VC..1604..
HSK63T-SVPCL-45070-16	45	80	70	L	VC..1604..
HSK100T-SVPBR-63100-16	63	120	100	R	VB..1604..
HSK100T-SVPBL-63100-16	63	120	100	L	VB..1604..
HSK100T-SVPCR-63100-16	63	120	100	R	VC..1604..
HSK100T-SVPCL-63100-16	63	120	100	L	VC..1604..

**HSK**

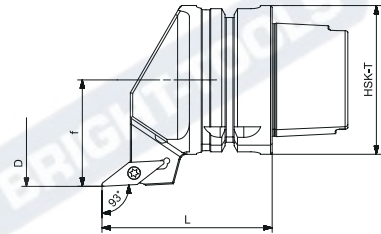
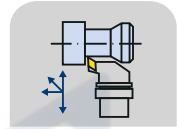
**SVUBR | SVUBL | SVUCR | SVUCL 93°/35°**


Size	f	D min	L	Direction	Inserts N.
HSK63T-SVUBR-45070-16	45	80	70	R	VB..1604..
HSK63T-SVUBL-45070-16	45	80	70	L	VB..1604..
HSK63T-SVUCR-45070-16	45	80	70	R	VC..1604..
HSK63T-SVUCL-45070-16	45	80	70	L	VC..1604..
HSK100T-SVUBR-63100-16	63	120	100	R	VB..1604..
HSK100T-SVUBL-63100-16	63	120	100	L	VB..1604..
HSK100T-SVUCR-63100-16	63	120	100	R	VC..1604..
HSK100T-SVUCL-63100-16	63	120	100	L	VC..1604..

**HSK**
**SVVBN | SVVCN 72.5°/35°/72.5°**


Size	L	Direction	Inserts N.
HSK63T-SVVBN-100-16	100	N	VB..1604..
HSK63T-SVVBN-130-16	130	N	VB..1604..
HSK63T-SVVCN-100-16	100	N	VC..1604..
HSK63T-SVVCN-130-16	130	N	VC..1604..
HSK100T-SVVBN-125-16	125	N	VB..1604..
HSK100T-SVVCN-125-16	125	N	VC..1604..

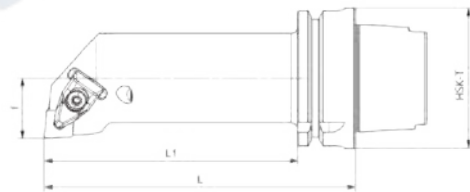
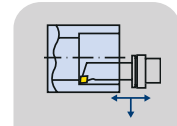
**SVJBR | SVJBL | SVJCR | SVJCL 93°/35°**



Size	f	D min	L	Direction	Inserts N.
HSK63T-SVJBR-45072-16	45	80	71.5	R	VB..1604..
HSK63T-SVJBL-45072-16	45	80	71.5	L	VB..1604..
HSK63T-SVJCR-45072-16	45	80	71.5	R	VC..1604..
HSK63T-SVJCL-45072-16	45	80	71.5	L	VC..1604..
HSK100T-SVJBR-63100-16	63	120	100	R	VB..1604..
HSK100T-SVJBL-63100-16	63	120	100	L	VB..1604..
HSK100T-SVJCR-63100-16	63	120	100	R	VC..1604..
HSK100T-SVJCL-63100-16	63	120	100	L	VC..1604..

**HSK**

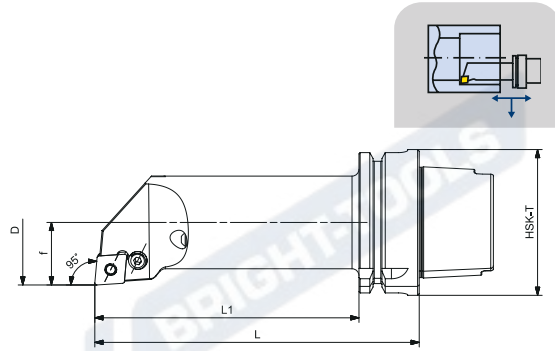
**DCLNR | DCLNL 95°/80°**



Size	f	D min	L	L1	Direction	Inserts N.
HSK63T-DCLNR12-140-27	27	50	140	114	R	CN..1204..
HSK63T-DCLNL12-140-27	27	50	140	114	L	CN..1204..
HSK63T-DCLNR12-180-27	27	50	180	154	R	CN..1204..
HSK63T-DCLNL12-180-27	27	50	180	154	L	CN..1204..
HSK100T-DCLNR12-150-27	27	50	150	121	R	CN..1204..
HSK100T-DCLNL12-150-27	27	50	150	121	L	CN..1204..
HSK100T-DCLNR12-200-27	27	50	200	171	R	CN..1204..
HSK100T-DCLNL12-200-27	27	50	200	171	L	CN..1204..
HSK100T-DCLNR12-150-35	35	63	150	121	R	CN..1204..
HSK100T-DCLNL12-150-35	35	63	150	121	L	CN..1204..
HSK100T-DCLNR12-200-35	35	63	200	171	R	CN..1204..
HSK100T-DCLNL12-200-35	35	63	200	171	L	CN..1204..



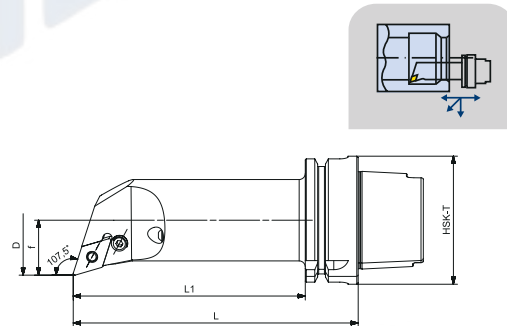
## 长型 PCLNR | PCLNL 95°/80°



Size	f	D min	L	L1	Direction	Inserts N.
HSK63T-PCLNR-27140-12	27	50	140	114	R	CN..1204..
HSK63T-PCLNL-27140-12	27	50	140	114	L	CN..1204..
HSK63T-PCLNR-27180-12	27	50	180	154	R	CN..1204..
HSK63T-PCLNL-27180-12	27	50	180	154	L	CN..1204..
HSK100T-PCLNR-27150-12	27	50	150	121	R	CN..1204..
HSK100T-PCLNL-27150-12	27	50	150	121	L	CN..1204..
HSK100T-PCLNR-27200-12	27	50	200	171	R	CN..1204..
HSK100T-PCLNL-27200-12	27	50	200	171	L	CN..1204..
HSK100T-PCLNR-35150-12	35	63	150	121	R	CN..1204..
HSK100T-PCLNL-35150-12	35	63	150	121	L	CN..1204..
HSK100T-PCLNR-35200-12	35	63	200	171	R	CN..1204..
HSK100T-PCLNL-35200-12	35	63	200	171	L	CN..1204..

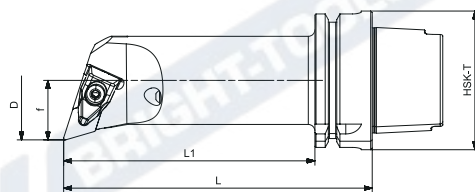
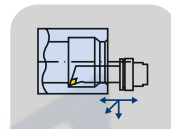
**HSK**

## 长型 PDQNR | PDQNL 107.5°/55°



Size	f	D min	L	L1	Direction	Inserts N.
HSK63T-PDQNR-27140-15	27	50	140	114	R	DN..1506..
HSK63T-PDQNL-27140-15	27	50	140	114	L	DN..1506..
HSK63T-PDQNR-27180-15	27	50	180	154	R	DN..1506..
HSK63T-PDQNL-27180-15	27	50	180	154	L	DN..1506..
HSK100T-PDQNR-27150-15	27	50	150	121	R	DN..1506..
HSK100T-PDQNL-27150-15	27	50	150	121	L	DN..1506..
HSK100T-PDQNR-27200-15	27	50	200	171	R	DN..1506..
HSK100T-PDQNL-27200-15	27	50	200	171	L	DN..1506..
HSK100T-PDQNR-35150-15	35	63	150	121	R	DN..1506..
HSK100T-PDQNL-35150-15	35	63	150	121	L	DN..1506..
HSK100T-PDQNR-35200-15	35	63	200	171	R	DN..1506..
HSK100T-PDQNL-35200-15	35	63	200	171	L	DN..1506..

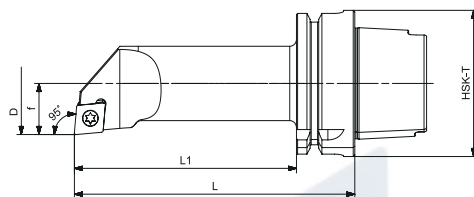
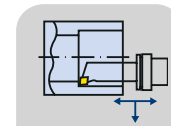
### 长型 DDQNR | DDQNL 107.5°/55°



Size	f	D min	L	L1	Direction	Inserts N.
HSK63T-DDQNR-27140-15	27	50	140	114	R	DN..1506..
HSK63T-DDQNL-27140-15	27	50	140	114	L	DN..1506..
HSK63T-DDQNR-27180-15	27	50	180	154	R	DN..1506..
HSK63T-DDQNL-27180-15	27	50	180	154	L	DN..1506..
HSK100T-DDQNR-27150-15	27	50	150	121	R	DN..1506..
HSK100T-DDQNL-27150-15	27	50	150	121	L	DN..1506..
HSK100T-DDQNR-27200-15	27	50	200	171	R	DN..1506..
HSK100T-DDQNL-27200-15	27	50	200	171	L	DN..1506..
HSK100T-DDQNR-35150-15	35	63	150	121	R	DN..1506..
HSK100T-DDQNL-35150-15	35	63	150	121	L	DN..1506..
HSK100T-DDQNR-35200-15	35	63	200	171	R	DN..1506..
HSK100T-DDQNL-35200-15	35	63	200	171	L	DN..1506..

HSK

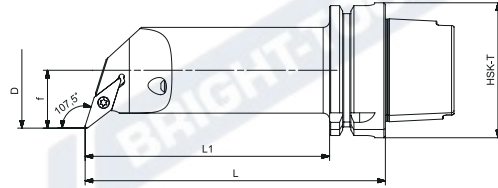
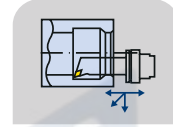
### 长型 SCLCR | SCLCL 95°/80°



Size	f	D min	L	L1	Direction	Inserts N.
HSK63T-SCLCR-22125-12	22	40	125	99	R	CC..1204..
HSK63T-SCLCL-22125-12	22	40	125	99	L	CC..1204..
HSK63T-SCLCR-22160-12	22	40	160	134	R	CC..1204..
HSK63T-SCLCL-22160-12	22	40	160	134	L	CC..1204..
HSK63T-SCLCR-27140-12	27	50	140	114	R	CC..1204..
HSK63T-SCLCL-27140-12	27	50	140	114	L	CC..1204..
HSK63T-SCLCR-27180-12	27	50	180	154	R	CC..1204..
HSK63T-SCLCL-27180-12	27	50	180	154	L	CC..1204..



## 长型 SVQCR | SVQCL 107.5°/55°



Size	f	D min	L	L1	Direction	Inserts N.
HSK63T-SVQCR11-85	13	25	85	59	R	VC..1103..
HSK63T-SVQCL11-85	13	25	85	59	L	VC..1103..
HSK63T-SVQCR11-100	17	32	100	74	R	VC..1103..
HSK63T-SVQCL11-100	17	32	100	74	L	VC..1103..
HSK63T-SVQCR-22125-16	22	40	125	99	R	VC..1604
HSK63T-SVQCL-22125-16	22	40	125	99	L	VC..1604
HSK63T-SVQCR-22160-16	22	40	160	134	R	VC..1604
HSK63T-SVQCL-22160-16	22	40	160	134	L	VC..1604
HSK63T-SVQCR-27140-16	27	50	140	114	R	VC..1604
HSK63T-SVQCL-27140-16	27	50	140	114	L	VC..1604
HSK63T-SVQCR-27180-16	27	50	180	154	R	VC..1604
HSK63T-SVQCL-27180-16	27	50	180	154	L	VC..1604

**HSK**